

TECHNICAL DATA

Control unit

Operating voltage	24V DC +6V / -2V
Power consumption	< 20W
Fuse protection	1,5A medium-blow
Ambient temperature	0° - 50°C during operation
Signal inputs	potential free, 24V DC with common reference
Switching outputs 0-1-2 - Sheet	potential free, open Emitters (NPN) of the optocoupler outputs
Switching capacity	max. 50V AC / 0,15A / 0,15W
Class of protection	IP 65
Weight	approx. 1,5kg (3 lbs)
Dimensions	226 × 200 × 100mm (L × W × H)

Measurable sheet thickness / sensor distance

Sensors IS42-30GS / IE42-30GS ISQ42S / IEQ42S and ISQ42FS / IEQ42FS		
Material	Sheet thickness min. / max.(mm)	at nominal sensor distance (min. / max.)(mm)
Steel	0,15 – 8	40 (20 – 80)
Aluminum (20 – 30 MS/m)	0,1 – 10	40 (20 – 80)
Austenitic Stainless steel	0,4 – 10	40 (20 – 80)

Sensors IS20-30GS / IE20-30GS		
Material	Sheet thickness min. / max. (mm)	at nominal sensor distance (min. / max.) (mm)
Steel	0,05 – 4	20 (10 – 40)
Aluminum (20 – 30 MS/m)	0,05 – 10	20 (10 - 40)
Austenitic Stainless steel	0,1 – 10	20 (10 - 40)

- Memory for 255 different parameter sets
- Programming by pushbutton operation or via Fieldbus interface
- Addressing via potential free control inputs 24V DC with common reference potential or Fieldbus interface

Sensor data

Ambient temperature	0° – 50°C during operation
Class of protection	IP 65
Material of enclosure	Connecting flange: Brass, nickel plated Other surface: Stainless Steel
Identification marks	Stamp mark on enclosure Transmitter: S, receiver: E
Weight	IS / IE20-30GS: 225g IS / IE42-30GS: 450g ISQ/IEQ42S: 370g (also for ...-FS)

Versions of control units

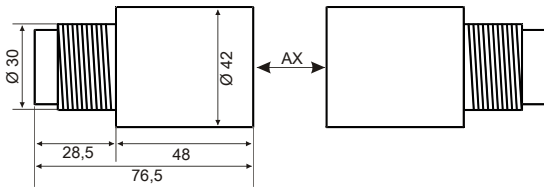
Type / Channels	Interface
I20-2-O-S	2 I/O interface (opto coupler)
I20-4-O-S	4 I/O interface (opto coupler)
I20-2-xx-S	Fieldbus interface + I/O interface (opto coupler)
I20-4-xx-S	Fieldbus interface + I/O interface (opto coupler)

xx Bus selection code, for other Fieldbus types please contact us
 PR Profibus-DP
 CN ControlNet
 DN DeviceNet
 IN Interbus-S
 PN ProfiNet IO

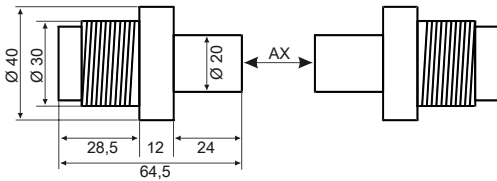
All units are equipped with USB interfaces for data backup, the associated software is within the scope of delivery

Dimensions of sensors

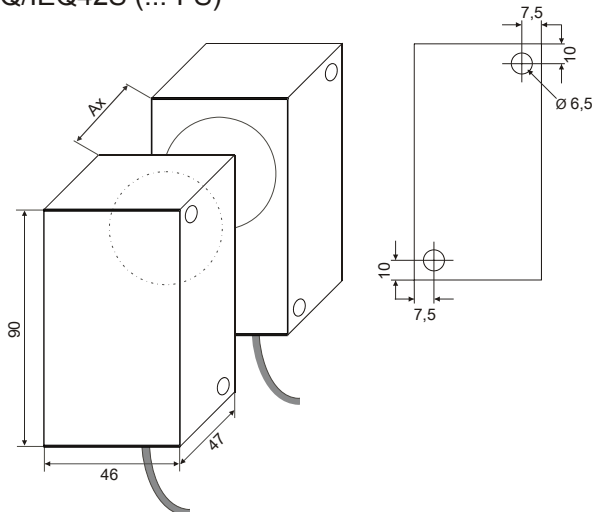
IS/IE42-30GS



IS/IE20-30GS



ISQ/IEQ42S (...-FS)



Pairs of sensors

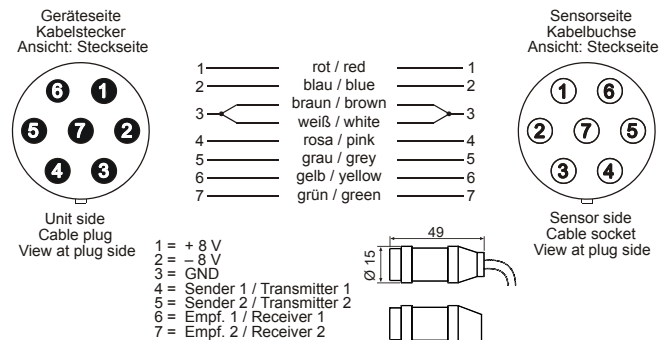
IS20-30GS	Transmitter	Round shape, with Push-Pull connector
IE20-30GS	Receiver	
IS42-30GS	Transmitter	Round shape, with Push-Pull connector
IE42-30GS	Receiver	
ISQ42S	Transmitter	Cuboid shape for space-saving installation, with Push-Pull connector
IEQ42S	Receiver	
ISQ42FS	Transmitter	Cuboid shape for space-saving installation, fixed cable. Standard cable length is 2 meters
IEQ42FS	Receiver	

Sensor cables

SCI20S-GG	Cable with axial cable plug and cable socket
SCI20S-GW	Cable with axial cable plug and angular cable socket
SCI20S-GG-TE	Extension cable / quick disconnect for sensor cable

Standard cable length is 2 meters, lengths up to 50 meters on order, larger lengths on request

Sensor cable SCI20S-xx



September 2008 Rev.1.2

ROLAND ROLAND ELECTRONIC GMBH

Otto-Maurer-Straße 17 • 75210 Kelttern-Ellmendingen / Germany
 Telefon +49 (0)7236-9392-0 • Telefax +49 (0)7236-9392-33
 Internet: <http://www.roland-electronic.com> • E-Mail: info@roland-electronic.com

